

Wilkhahn

Wilkhahn

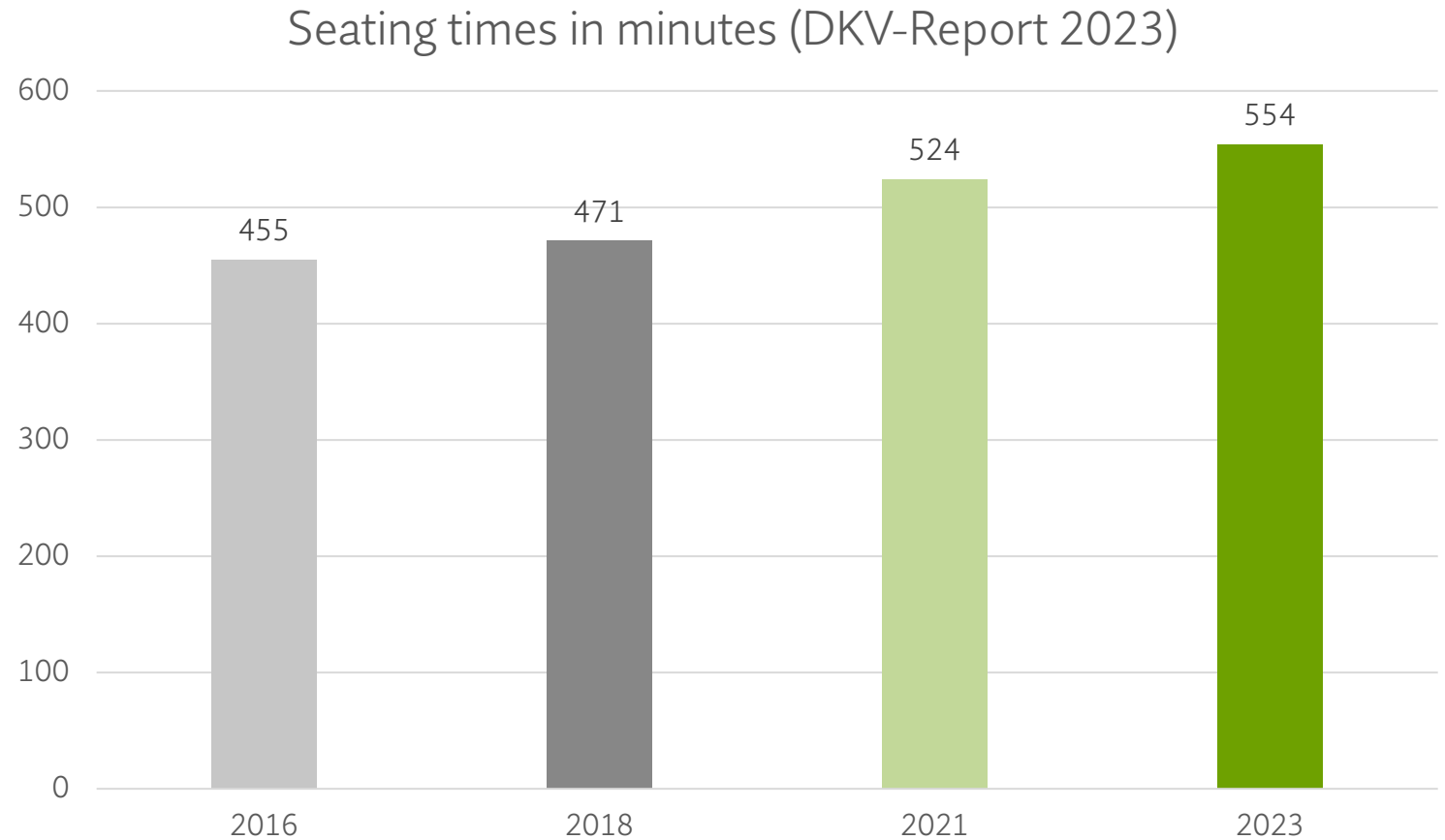
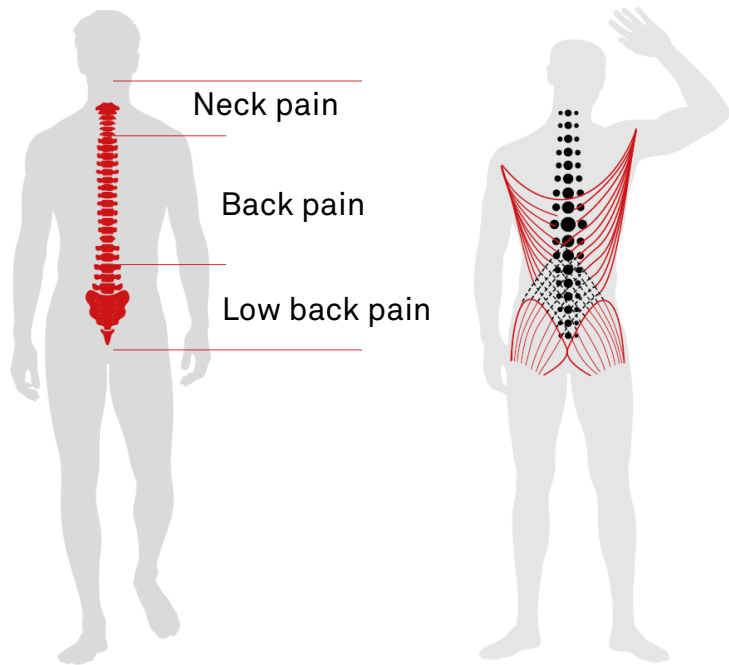
ME

Programm 164



Wilkhahn

Bringing movement to the people - against the trend toward physical inactivity



The best sitting posture is always the next
Small movements = big impact!

Wilkhahn

ME – the tailor made

The optional patented ProgressiveMotion module promotes tremendous 3D dynamics for the back while providing safety, comfort and well-being.

Thanks to its modular design principle, ME can meet all international certification standards, including the new AX/NPR standard!

The design concept combines backrest and seat into a single unit whose contours look harmonious from every perspective. Clear edges merge into soft surfaces. This contrast creates exciting surfaces and an attractive appearance with high recognition value.



Wilkhahn



Modular configuration

The modular design concept allows ME to be perfectly adapted to any tender or customer requirement.



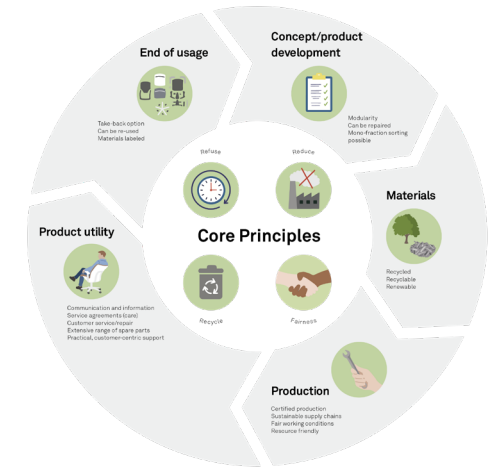
Ergonomics

The patented ProgressiveMotion module ensures outstanding ergonomics and an unparalleled user experience.



Ease of use

Intuitive operation and simple handling ensure an easy way to adjust the desired settings.



Sustainability

ME meets strict sustainability requirements and international certification standards.

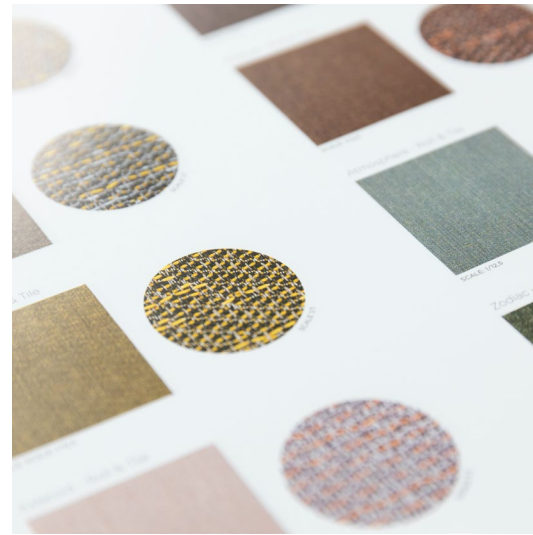
Wilkhahn

ME at a glance



Design

Integrative design, well engineered down to the smallest detail - for an attractive appearance with high recognition value.



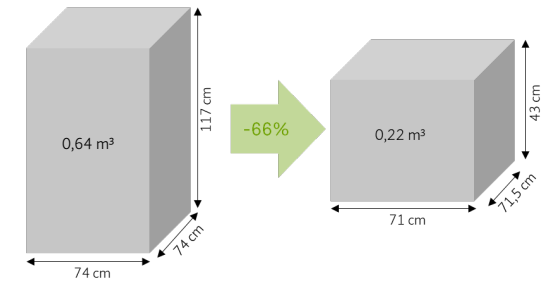
Wide range of options

A wide range of functional, comfort and design elements makes it possible to design exactly the product that meets the customer's expectations.



Value for money

Outstanding value for money - you get first-class quality at a fair price.



Knock-Down

Transport volume reduction of up to 66% achievable.











Wilkhahn

ME – The custom-made

The modular system for:

- different budgets
- different functional areas
- different design concepts
- and different mobility options

ME - the modular system with more than 1,000,000 possible combinations

4 additional options

- height adjustable lumbar support
- height and depth adjustable lumbar support
- clothes hanger
- height and depth adjustable headrest

4 Backs

- Mesh back
- Mesh back height adjustable
- Upholstered back
- Upholstered back height adjustable

6 Armrests

- without Armrests
- 2-D-Armrests (PP)
- 2-D-Soft-Armrests (PUR)
- 4-D-Armrests (PP)
- 4-D-Soft-Armrests (PUR)
- 4-D-Plus-Armrests (TPU) NPR-AX

5 Gas lifts

- Height adjustable Gas lift
- Height adjustable Gas lift with contact suppression
- ESP Gas lift
- AX/NPR Gas lift

5 Bases

- Kunststoff schwarz
- Kunststoff weiß
- Aluminium schwarz
- Aluminium weiß
- Aluminium hochglanzpoliert

2 Casters

- black
- white

14 Cover options

- fabrics
- vegan leather

4 Seats

- standard upholstery
- Standard upholstery with seat depth adjustment
- soft upholstery
- Soft upholstery with seat depth adjustment

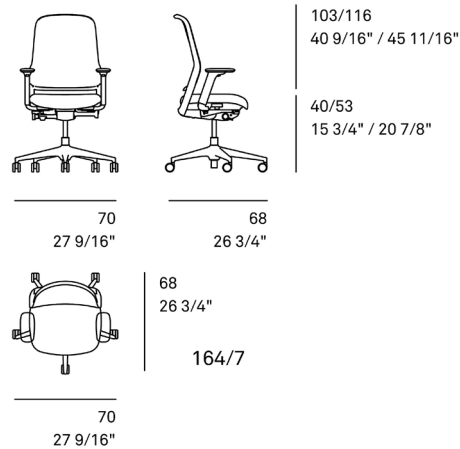
4 Mechanisms

- Automatic weight adjustment
- Automatic weight adjustment with ProgressiveMotion
- Manual weight adjustment
- Manual weight adjustment with ProgressiveMotion

Wilkhahn

ME 164/7 – Mesh back

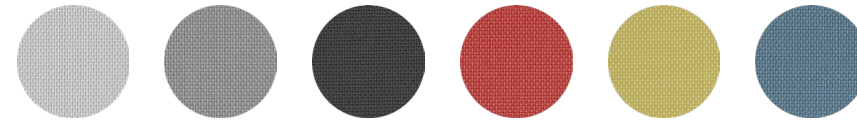
ME combines aesthetics with high comfort due to the covered backrest frame. The flexible mesh backrest provides optimal ventilation and allows ergonomic freedom of movement.



Frame and base

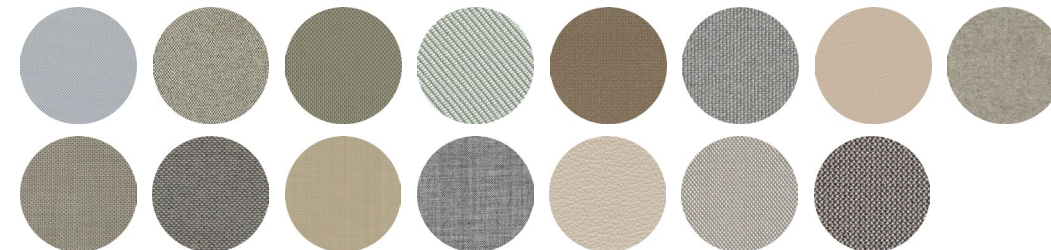


Backrest frame trim



Seat (examples from the Wilkhahn fabric collection)

37 Racer | 38 Era | 47 Nova | 51 Oceanic | 54 Pitch | 56 Cyber | 58 Evida |
60 Blend | 64 Morph | 65 Re-Wool | 66 Lona | 68 Kvadrat Remix |
74 Leather | 91 Steelcut Trio 3 | 92 Credo



Wilkhahn

ME 164/7 - Mesh back



Frame

- made of black or white through-dyed polyamide
- optionally height adjustable by 70 mm



Seat

- standard or soft upholstery
- optional with depth adjustment
- optional with 5° forward tilt



Backrest cover

- made from 80% recycled post-consumer polyester
- available in 6 colors



Mechanism

- manual or automatic synchronous mechanism, optionally with ProgressiveMotion

Wilkhahn

ME 164/7 - Mesh back



Armrests

- 2D armrests with PP or PUR armrest pads
- optional 4D- or AX/NPX-armrests



Base

- plastic (black, white) or aluminum (black or white, textured matt, high-luster polished aluminum)
- optionally with AX/NPR Gas lift



Casters

- load-dependent twin-wheel swivel casters, available in black or white
- electrically conductive on request



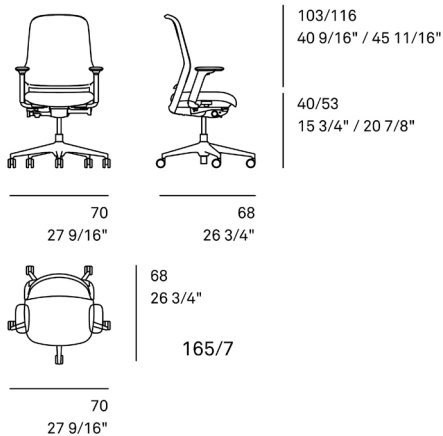
Accessories

- optionally with clothes hanger or height and depth adjustable headrest

Wilkhahn

ME 165/7 - Upholstered back

The ME with upholstered back offers a great level of comfort and the option to equip the seat and back with the same covers. The upholstered backrest frame on the front also conveys more volume and high quality.



Frame and base



Backrest and seat

(examples from the Wilkhahn fabric collection)

37 Racer | 38 Era | 47 Nova | 51 Oceanic | 54 Pitch | 58 Evida | 56 Cyber I
60 Blend | 64 Morph | 65 Re-Wool | 66 Lona | 68 Kvadrat Remix |
91 Steelcut Trio 3 | 92 Credo



Wilkhahn

ME 165/7 – Upholstered back



Frame

- made of black or white through-dyed polyamide
- optionally height adjustable by 70 mm



Seat

- standard or soft upholstery
- optional with depth adjustment
- optional with 5° forward tilt



Upholstered back

- Upholstery made of a padded mesh back covered with fabric



Mechanism

- manual or automatic synchronous mechanism, optionally with ProgressiveMotion

Wilkhahn

ME 165/7 – Upholstered back



Armrests

- 2D armrests with PP or PUR armrest pads
- optional 4D- or AX/NPX-armrests



Base

- plastic (black, white) or aluminum (black or white, textured matt, high-luster polished aluminum)
- optionally with AX/NPR Gas lift



Casters

- load-dependent twin-wheel swivel casters, available in black or white
- electrically conductive on request



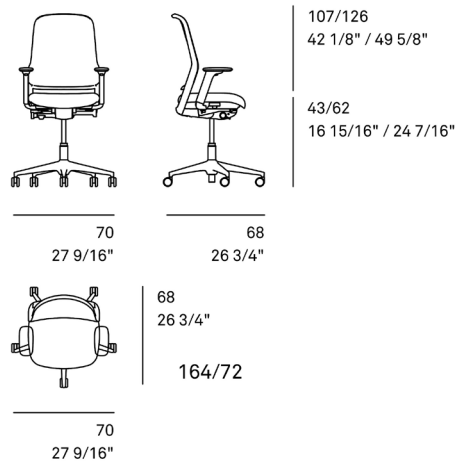
Accessories

- optionally with clothes hanger or height and depth adjustable headrest (optionally covered)

Wilkhahn

ME 164/72 – Mesh back with ESP function

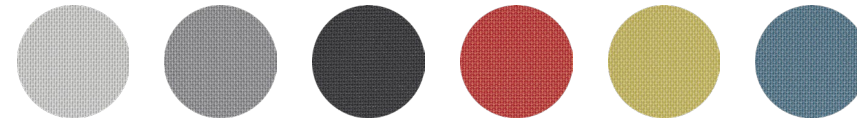
The ESP version is ideal for promoting standing-sitting dynamics at height-adjustable tables. We recommend combining it with the seat tilt option for even easier getting up.



Frame and base

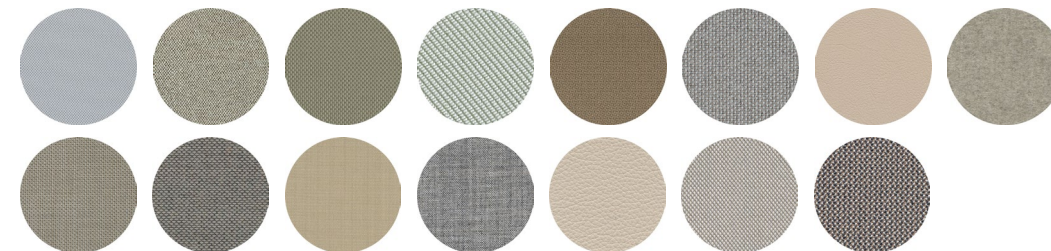


Backrest frame trim



Seat (examples from the Wilkhahn fabric collection)

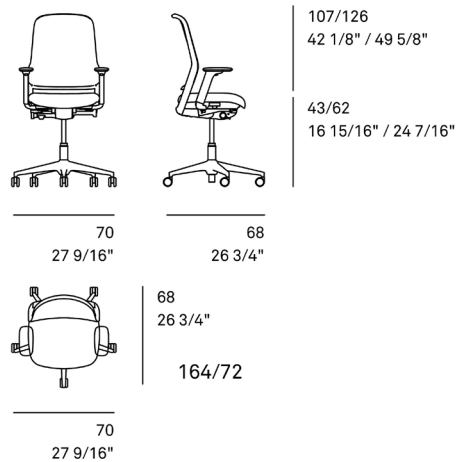
37 Racer | 38 Era | 47 Nova | 51 Oceanic | 54 Pitch | 56 Cyber | 58 Evida | 60 Blend | 64 Morph | 65 Re-Wool | 66 Lona | 68 Kvadrat Remix | 74 Leather | 91 Steelcut Trio 3 | 92 Credo



Wilkhahn

ME 165/72 – Upholstered back with ESP function

The ESP version is ideal for promoting stand-sit dynamics at height-adjustable tables. The upholstered backrest frame at the front additionally conveys more volume and high quality.



Frame and base



Backrest and seat

(examples from the Wilkhahn fabric collection)

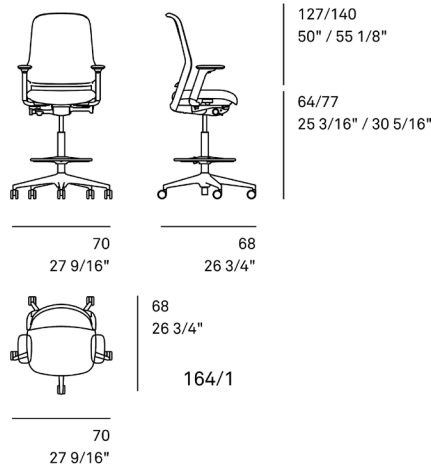
37 Racer | 38 Era | 47 Nova | 51 Oceanic | 54 Pitch | 58 Evida | 56 Cyber I
60 Blend | 64 Morph | 65 Re-Wool | 66 Lona | 68 Kvadrat Remix |
91 Steelcut Trio 3 | 92 Credo



Wilkhahn

ME 164/1 – Counter chair with mesh back

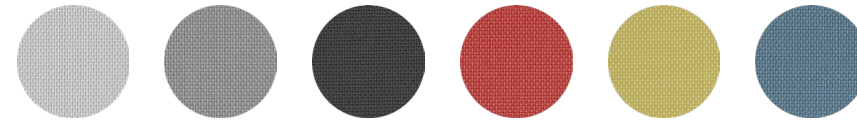
As a third standard height, the ME is also available as a counter chair - whether for counter workstations or at high tables in the project office for communication at eyelevel.



Frame and base

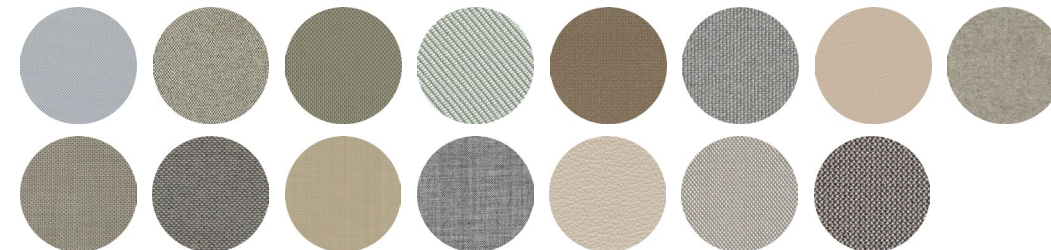


Backrest frame trim



Seat (examples from the Wilkhahn fabric collection)

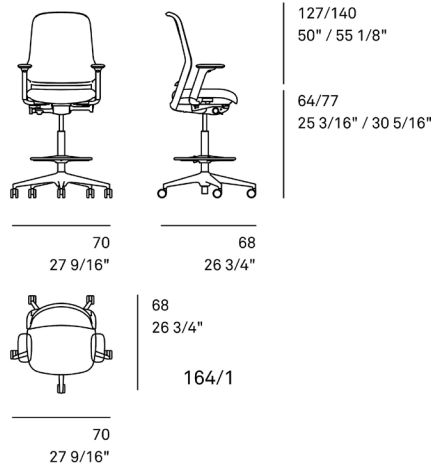
37 Racer | 38 Era | 47 Nova | 51 Oceanic | 54 Pitch | 56 Cyber | 58 Evida |
60 Blend | 64 Morph | 65 Re-Wool | 66 Lona | 68 Kvadrat Remix |
74 Leather | 91 Steelcut Trio 3 | 92 Credo



Wilkhahn

ME 165/1 – Counter chair with upholstered back

As a third standard height, the ME is also available as a counter chair - again, the upholstered backrest frame also conveys more volume and high quality.



Frame and base



Backrest and seat

(examples from the Wilkhahn fabric collection)

37 Racer | 38 Era | 47 Nova | 51 Oceanic | 54 Pitch | 58 Evida | 56 Cyber I
60 Blend | 64 Morph | 65 Re-Wool | 66 Lona | 68 Kvadrat Remix |
91 Steelcut Trio 3 | 92 Credo

