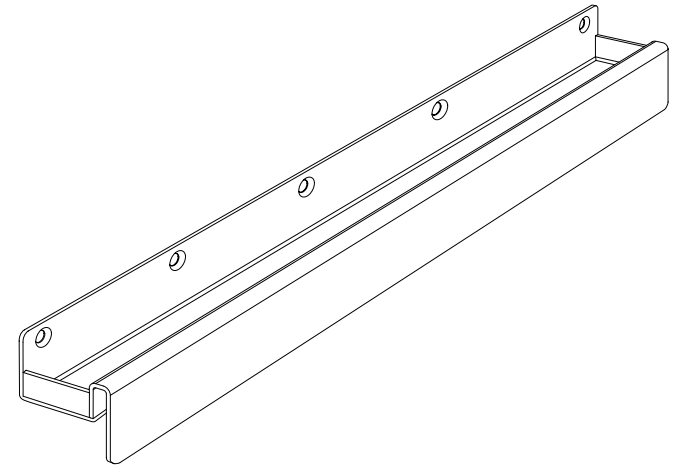
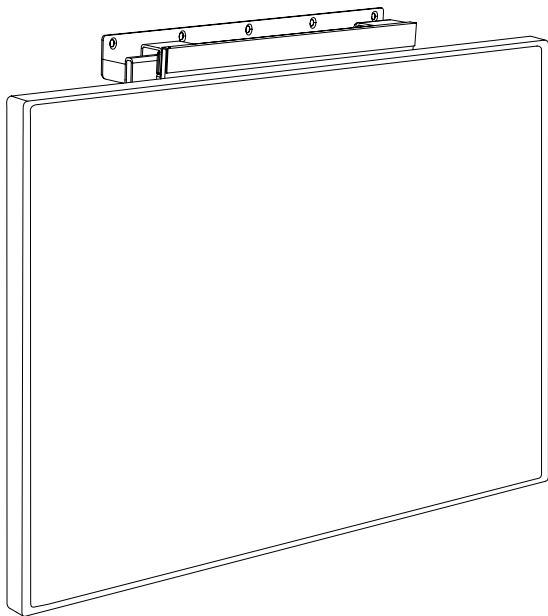


Wilkhahn

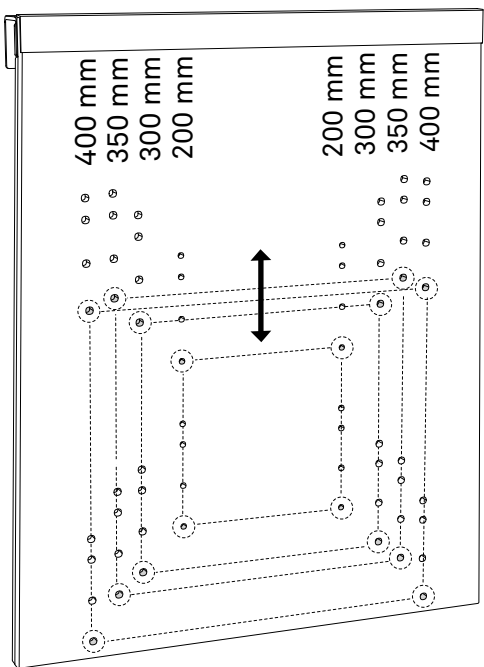
Wilkening + Hahne GmbH+Co.KG
31848 Bad Münder
Fritz-Hahne-Straße 8
Telephone +49 (0) (5042) 999-0
info@wilkhahn.de
www.wilkhahn.com

Timetable Lift Accessories





1



615/03 not included

